



Smarthood™

Pharmacy



COMMITTED TO THE WORK THAT MATTERS.

## Introducing The World's First Software Agnostic Smarthood™

Introducing Smarthood™ by Germfree, engineered to revolutionize your IV workflow with cutting-edge integration and streamlined efficiency. This innovative solution integrates all essential peripherals needed to run IV workflow software directly into the hood. By consolidating these components into a single, streamlined unit, the Smarthood™ eliminates the clutter and complexity of external devices, enhancing efficiency, communication, safety, and aseptic technique.

Available in both 4ft & 6ft horizontal laminar flow and 4ft & 6ft Class II BSCA configurations, the Smarthood™ connects effortlessly to your health system's IV workflow software, acting as a network terminal with no additional interfaces required. This integrated approach not only boosts accuracy and supports compliance but also allows you to focus on what truly matters: **providing exceptional patient care.**

- **Integrated cameras, scanner, speakerphone, scale and printer**
- **Most accurate gravimetrics (vibration dampening)**

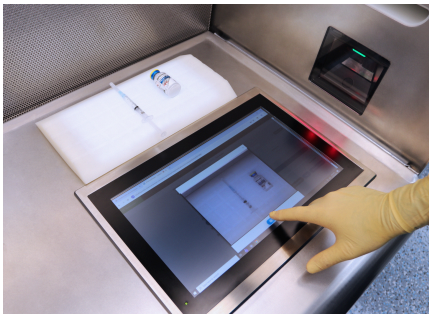


Equipment pictured may include custom or optional features

## Application

Smarthood™ is designed to support precise and compliant preparation of intravenous medications for:

- 503B Outsourcing
- Hazardous Drugs
- Hospital Compounding



### Testing, warranty, and support information

- Equipment and HEPA filters are Factory Acceptance Tested (FAT) prior to shipment, meeting EN guidelines and an airflow test prior to shipping.
- Independent 3rd party certification on-site is recommended prior to operation.
- An operation and maintenance manual is included.
- Germfree Standard equipment carries a 2 year parts warranty. Consult a Germfree Expert for more.

## Specifications and features

### ■ Software-agnostic

Smarthood™ integrates seamlessly with existing IV workflow software, eliminating the need for additional interfaces.

### ■ Improved efficiency

Consolidated components reduce movement and significantly lower contamination risks.

### ■ Enhanced cleanliness

Smarthood™ minimizes clutter and improves workspace organization.

### ■ Accurate gravimetrics

Built-in Mettler Toledo scale, enables precise gravimetric measurements directly within the hood.

### ■ Hands-free capture

Smarthood™ features dual cameras and Zebra scanner for hands-free barcode scanning.

### ■ Improved communication

Use the built-in hardware to communicate with MS Teams and other platforms.

## Electrical Requirements

### Z-Series Smarthood™

- 115V, 60Hz
- Power Cord: 10 ft. Nema 5-15P
- + 2 ethernet ports
- + 2 USB ports

### B-Series Smarthood™

- 115V, 60Hz
- Power Cord: 10 ft. Nema 5-15P
- + 2 ethernet ports
- + 2 USB ports

## Dimensions

Z-Series	Work Deck		Exterior Dimensions		
	Model	W	D	L	T
SH-Z400	48"	20"	62"	32"	78"
SH-Z600	72"	20"	86"	32"	78"

B-Series	Work Deck		Exterior Dimensions			With Armrest		Exhaust
	Model	W	D	L	N	H	Z	T
SH-B400A2	48"	21"	60"	28"	79"	86"	34"	26"
SH-B600A2	69"	21"	86"	28"	79"	86"	34"	44"

**\*Armrest is removable to accommodate moving through standard doorway widths.**



# Smarthood™: Ready for workflow





**1**  Communicate anytime

**2**  Access IV Workflow Solution

**3**  Barcode scan labels and product

**4**  Photo capture

**5**  Optional: Gravimetric verification

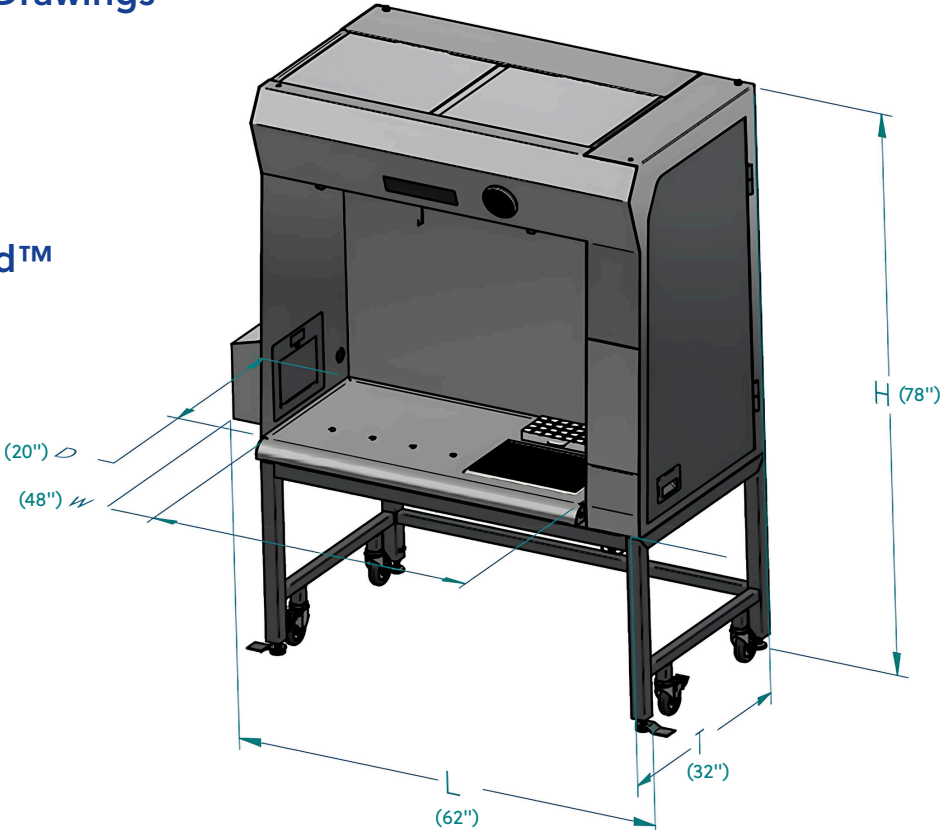
**6**  Print sterile labels

**7**  Dispose without leaving the hood



Technical Drawings

Z-Series  
Smarthood™  
(4-ft)



B-Series  
Smarthood™  
(4-ft)

